

ZERO[®]

A LIGHT

PENDANT



ZERO[®]

A LIGHT

PENDANT



ZERO[®]

A LIGHT

PENDANT



ZERO® A LIGHT

PENDANT

Utförande

Stål och mässing. Lackerad vit RAL 9010, svart RAL 9005. Yttre skärm högblank och inre skärm matt. Andra färger på begäran.

LED info

Systemeffekt: 10W. Armaturlumen: 673LM. Korrelerad färgtemperatur 3000K. SDCM 3. CRI 90. L70/55000H.

Kan tillverkas med 2700K, 4000K på begäran.

Montage

I takkrok, inkl takkopp.

Anslutning

DCL plug alt. kopplingsplint i takkopp.

Design

Jens Fager 2024.

Finish

Steel and brass. White RAL 9010, black RAL 9005. Outer shade in high gloss and inner shade matt. Other colours on request.

LED info

System power: 10W. Luminaire Luminous Flux: 673LM. CCT 3000K. SDCM 3.

CRI 90. L70/55000H. Can be delivered with 2700K, 4000K on request.

Installation

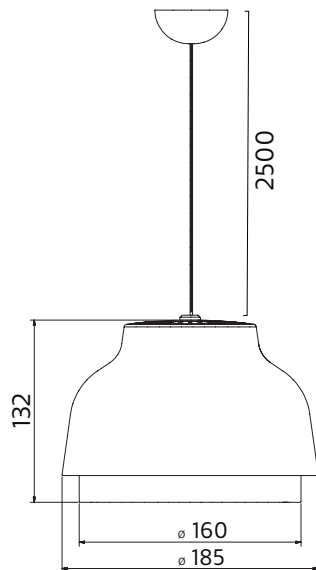
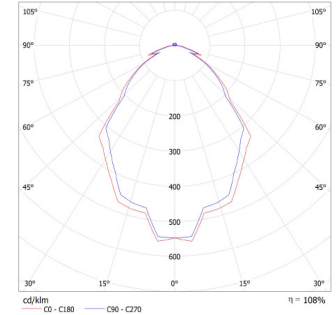
In ceiling-hook.

Connection

DCL-plug or terminal block in ceiling cup.

Design

Jens Fager 2024.



The logo consists of the word "ZERO" in white, bold, sans-serif capital letters, positioned inside a solid red square.

A LIGHT

PENDANT

PRODUCT SPECIFICATION

POWER/LUMEN	KELVIN	CRI	COLOR		ART.
10W/673LM	3000K	90	White	On/off	16236101-30
10W/673LM	3000K	90	White	Dali	16236101D30
10W/673LM	3000K	90	Black	On/off	16236106-30
10W/673LM	3000K	90	Black	Dali	16236106D30
10W/673LM	3000K	90	Brass	On/off	16236180-30
10W/673LM	3000K	90	Brass	Dali	16236180D30

ZERO[®] A LIGHT
PENDANT



Head office:
Friluftsvägen 2
SE-382 34 Nybro, Sweden
+46(0)481 800 00
info@zero.se

Showroom Stockholm:
Södermalmsallén 36,
SE-118 28 Stockholm, Sweden
+46(0)8-545 850 00

info@zero.se