

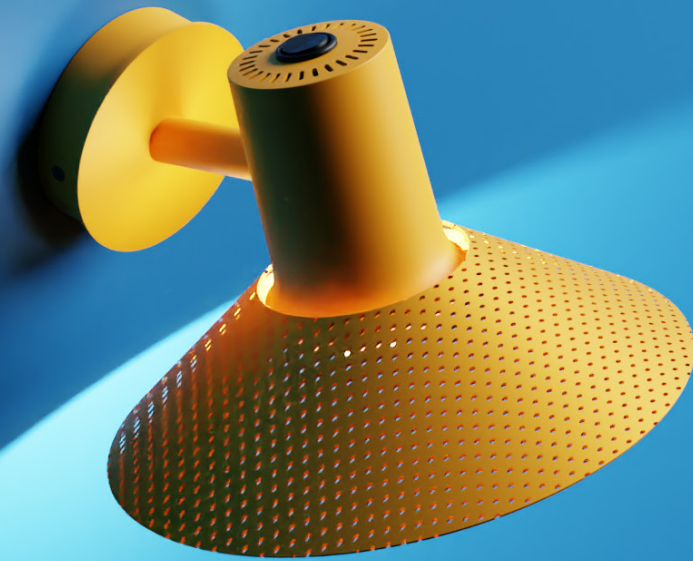
ZERO[®]

COMPOSE

WALL



ZERO[®] COMPOSE
WALL



ZERO[®] COMPOSE

WALL



ZERO[®] COMPOSE

WALL

Finish

Base in painted aluminum. White RAL 9016, black RAL 9005, yellow RAL 1033 , green RAL 6020. Shades in painted metal or clearglass, green glass, grey glass or matt-white glass, raw/untreated brass or copper. Diffuser in opal acrylic. On/off switch. Other colours on request.

LED info

Including dimmable LED retrofit light source GU10 3,5W 2700K. Can be delivered with 3000K on request.

Installation

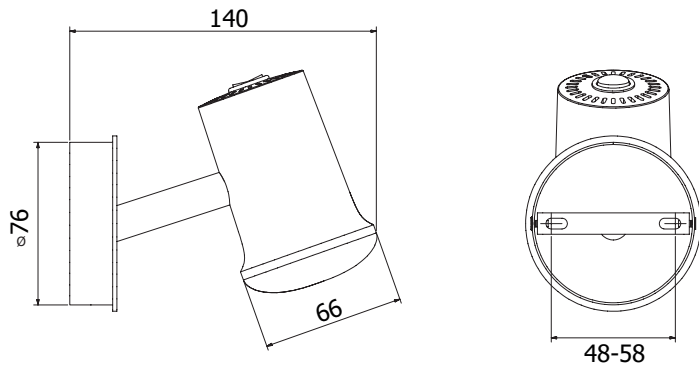
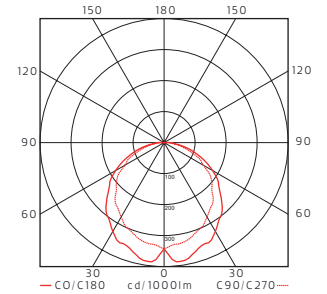
On wall.

Connection

Terminal block 3x2,5mm².

Design

Jens Fager 2023





COMPOSE

WALL

PRODUCT SPECIFICATION

POWER	KELVIN	CRI	COLOUR	MODEL	H/MM	ART.
GU10/3,5W/215LM	2700K	>90	White	Wall lamp	66	16228101
GU10/3,5W/215LM	2700K	>90	Black	Wall lamp	66	16228106
GU10/3,5W/215LM	2700K	>90	Green	Wall lamp	66	16228112
GU10/3,5W/215LM	2700K	>90	Yellow	Wall lamp	66	16228114

METAL SHADES	MODEL	COLOUR	D/MM	ART.
Metal shade	Small	White	98	S16200101
Metal shade	Large	White	195	S16200301
Metal shade	Small	Black	98	S16200106
Metal shade	Large	Black	195	S16200306
Metal shade	Small	Green	98	S16200112
Metal shade	Large	Green	195	S16200312
Metal shade	Small	Yellow	98	S16200114
Metal shade	Large	Yellow	195	S16200314
Metal shade	Small	Copper	98	S16200178
Metal shade	Large	Copper	195	S16200378
Metal shade	Small	Brass	98	S16200180
Metal shade	Large	Brass	195	S16200380

PERFORATED SHADES

Perforated metal	Large	White	195	S16210301
Perforated metal	Large	Black	195	S16210306
Perforated metal	Large	Green	195	S16210312
Perforated metal	Large	Yellow	195	S16210314

GLASS SHADES - The specification continues on the next page>



COMPOSE

WALL

PRODUCT SPECIFICATION

GLASS SHADES	MODEL	COLOUR	D/MM	ART.
Glass shade	Small	Clear glass	112	GL16201119
Glass shade	Large	Clear Glass	190	GL16201319
Glass shade	Small	Grey glass	112	GL16201111
Glass shade	Large	Grey glass	190	GL16201311
Glass shade	Small	Green glass	112	GL16201112
Glass shade	Large	Green glass	190	GL16201312
Glass shade	Small	Matt white glass	112	GL16201121
Glass shade	Large	Matt white glass	190	GL16201321

ZERO[®] COMPOSE

WALL



ZERO[®] COMPOSE
WALL



Head office:
Friluftsvägen 2
SE-382 34 Nybro, Sweden
+46(0)481 800 00
info@zero.se

Showroom Stockholm:
Södermalmsallén 36,
SE-118 28 Stockholm, Sweden
+46(0)8-545 850 00
info@zero.se