

ZERO[®]

CURVE CLUSTER

PENDANT SINGLE



ZERO[®]

CURVE CLUSTER

PENDANT SINGLE



ZERO[®]

CURVE CLUSTER

PENDANT SINGLE



ZERO[®]

CURVE CLUSTER

PENDANT SINGLE

Utförande

Metallskärmar - Lackerad metall grön RAL 6017, vit RAL 9010.

Bländskydd av matt akryl.

Glasglobes - Vit opalglas. Lackerad metall vit RAL 9010 alt. kopparlack.

Textil kabel. Andra färger på förfrågan.

LED info

Metallskärmar - Inbyggd LED modul 230V on/off eller med DALI.

Systemeffekt 10W/skärm. Armaturlumen se produktfakta. Korrelerad färgtemperatur 3000K. Färgtolerans SDCM 3. Färgåtergivning RA >90. L70 B10 50.000 timmar.

Glasglobes - Med E27 sockel exkl ljuskälla alt. LED modul DALI.

Montage

I takkrok, 3 m vajer.

Anslutning

DCL plug alt. kopplingsplint i takkopp.

Design

Front Design 2024.

Finish

Metal shades - Painted metal green RAL 6017, white RAL 9010. Diffuser in matt acrylic.

Glas globes - White opal glass. Painted metal white RAL 9010 or copper finish.

Textile cable. Other colours on request.

LED info

Metal shades - Incorporated LED module. On/off or DALI. System power: 10W/shade. Luminaire Luminous Flux: see specification. CCT 3000K.

SDCM 3. CRI 90. L70/50000H.

Glas globes - With E27 sockel exkl. lightsource or with LED module DALI dimmable.

Installation

In ceiling hook and 3 m wire.

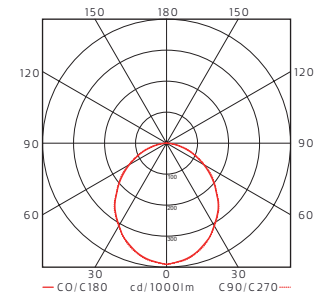
Connection

DCL-plug or terminal block in ceiling cup.

Design

Front Design 2024.

Metal shade



ZERO®

CURVE CLUSTER

PENDANT SINGLE

PRODUCT SPECIFICATION

POWER	LUMINAIRE FLUX	D/mm	COLOUR	MODEL	ART.
Curve Cluster with glass globes					
3xE27 max 10W		200/796	White	Small	16044101
3x10W	3xLM	200/796	White	Small	DALI 16044101D30
3xE27 max 10W		200/796	Copper	Small	16044178
3x10W	3xLM	200/796	Copper	Small	DALI 16044178D30
<hr/>					
3xE27 max 10W		250/846	White	Small	16044301
3x10W	3xLM	250/846	White	Small	DALI 16044301D30
3xE27 max 10W		250/846	Copper	Small	16044378
3x10W	3xLM	250/846	Copper	Small	DALI 16044378D30
<hr/>					
3xE27 max 10W		200/1122	White	Large	16047101
3x10W	3xLM	200/1122	White	Large	DALI 16047101D30
3xE27 max 10W		200/1122	Copper	Large	16047178
3x10W	3xLM	200/1122	Copper	Large	DALI 16047178D30
<hr/>					
3xE27 max 10W		250/1172	White	Large	16047301
3x10W	3xLM	250/1172	White	Large	DALI 16047301D30
3xE27 max 10W		250/1172	Copper	Large	16047378
3x10W	3xLM	250/1172	Copper	Large	DALI 16047378D30

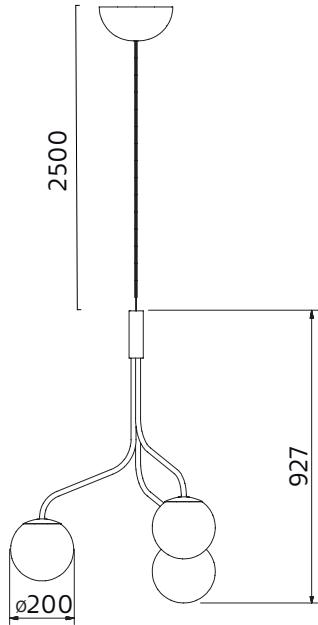


CURVE CLUSTER

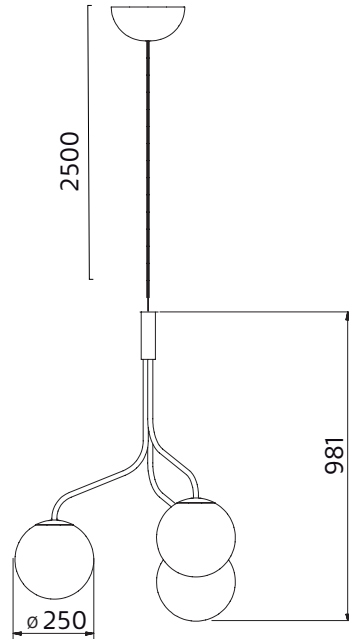
PENDANT SINGLE

Glass globe

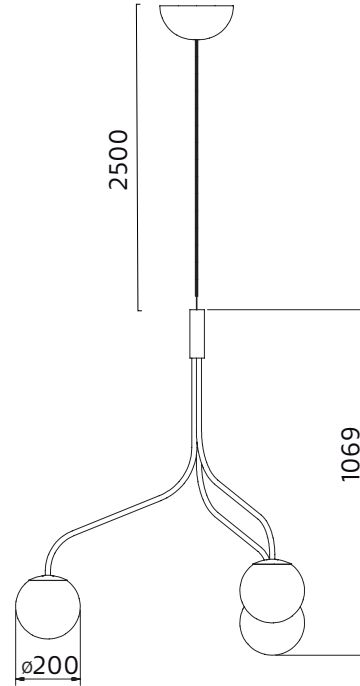
160441-Small



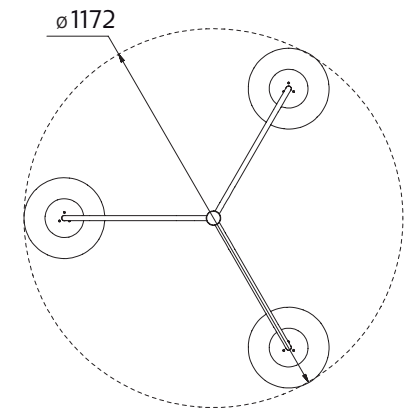
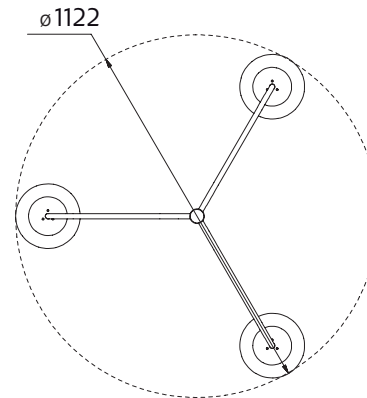
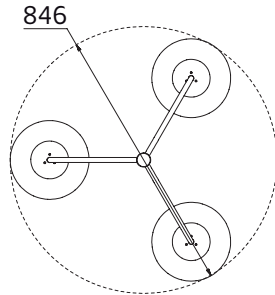
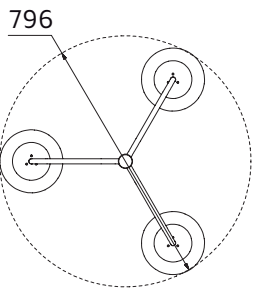
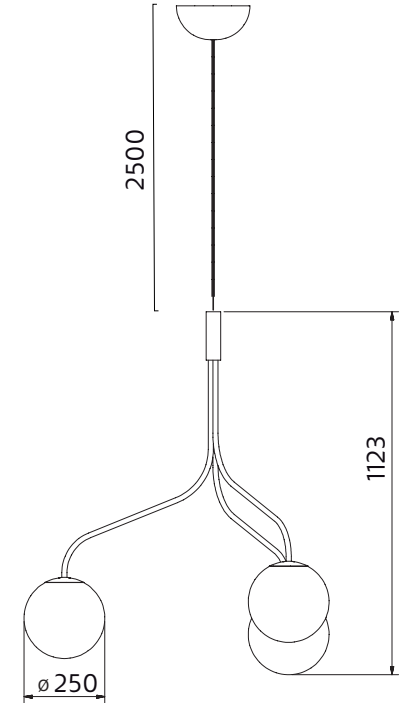
160443-Small



160471-Large



160473-Large





CURVE CLUSTER

PENDANT SINGLE

PRODUCT SPECIFICATION

POWER	LUMINAIRE FLUX	D/mm	COLOUR	MODEL	ART.
Curve Cluster with metal shades Small					
3x10W	3x710LM	150/746	White	Small	On/Off 16043101-30
3x10W	3x710LM	150/746	White	Small	DALI 16043101D30
3x10W	3x774LM	200/796	White	Small	On/Off 16043301-30
3x10W	3x774LM	200/796	White	Small	DALI 16043301D30
3x10W	3x783LM	300/896	White	Small	On/Off 16043501-30
3x10W	3x783LM	300/896	White	Small	DALI 16043501D30
Curve Cluster with metal shades Large					
3x10W	3x710LM	150/1072	Green	Small	On/Off 16043112-30
3x10W	3x710LM	150/746	Green	Small	DALI 16043112D30
3x10W	3x774LM	200/796	Green	Small	On/Off 16043312-30
3x10W	3x774LM	200/796	Green	Small	DALI 16043312D30
3x10W	3x783LM	300/896	Green	Small	On/Off 16043512-30
3x10W	3x783LM	300/896	Green	Small	DALI 16043512D30
Curve Cluster with metal shades Large					
3x10W	3x710LM	150/1072	White	Large	On/Off 16046101-30
3x10W	3x710LM	150/1072	White	Large	DALI 16046101D30
3x10W	3x774LM	200/1122	White	Large	On/Off 16046301-30
3x10W	3x774LM	200/1122	White	Large	DALI 16046301D30
3x10W	3x783LM	300/1222	White	Large	On/Off 16046501-30
3x10W	3x783LM	300/1222	White	Large	DALI 16046501D30

> The chart continues on the next page

ZERO®

CURVE CLUSTER

PENDANT SINGLE**PRODUCT SPECIFICATION**

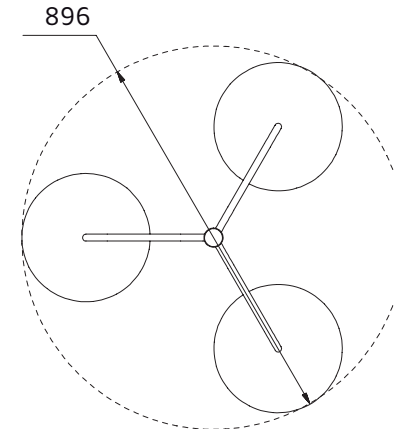
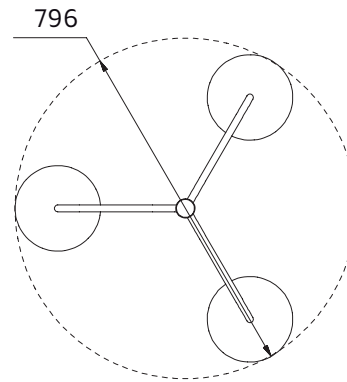
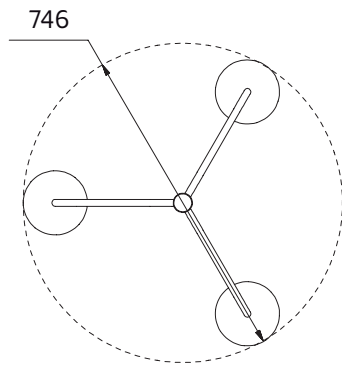
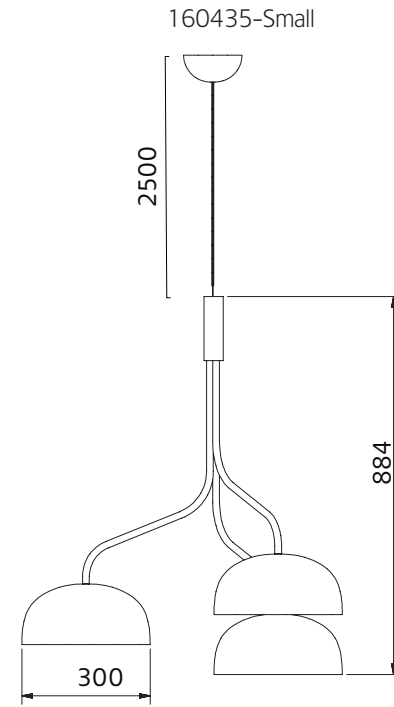
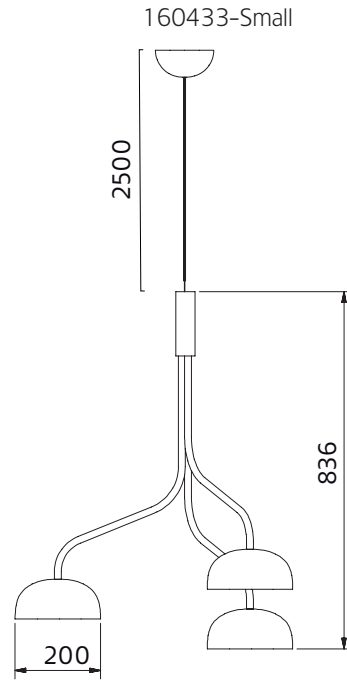
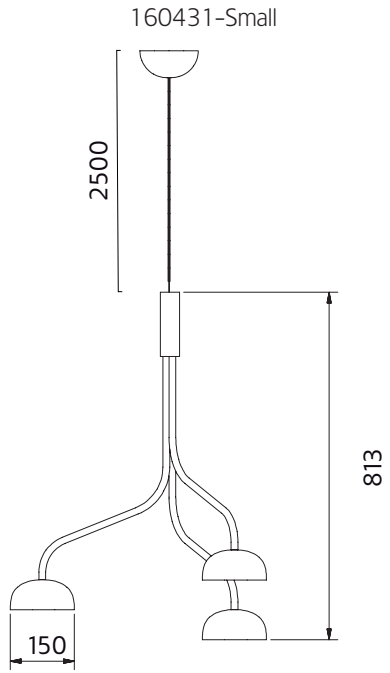
POWER	LUMINAIRE FLUX	D/mm	COLOUR	MODEL		ART.
Curve Cluster with metal shades Large						
3x10W	3x710LM	150/1072	Green	Large	On/Off	16046112-30
3x10W	3x710LM	150/1072	Green	Large	DALI	16046112D30
3x10W	3x774LM	200/1122	Green	Large	On/Off	16046312-30
3x10W	3x774LM	200/1122	Green	Large	DALI	16046312D30
3x10W	3x783LM	300/1222	Green	Large	On/Off	16046512-30
3x10W	3x783LM	300/1222	Green	Large	DALI	16046512D30



CURVE CLUSTER

PENDANT SINGLE

Metal shade Small

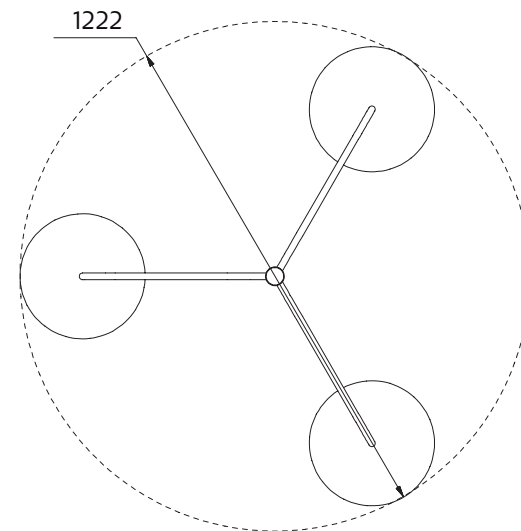
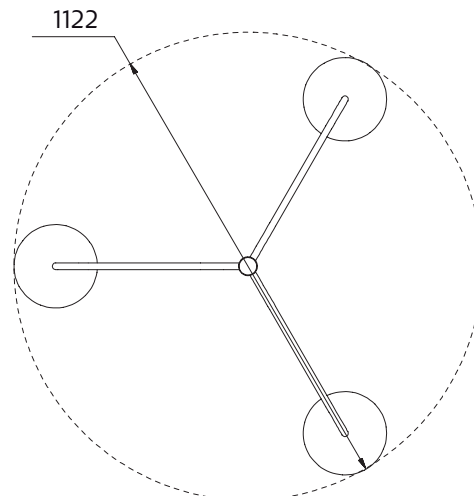
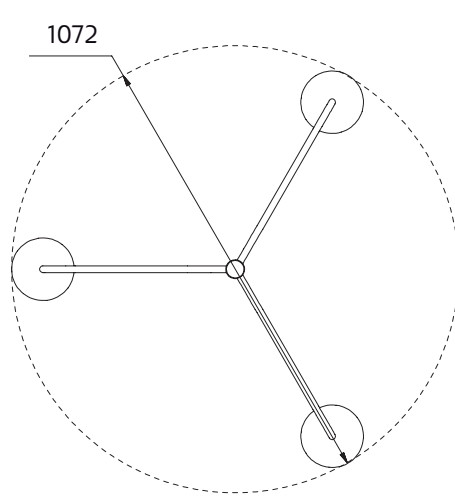
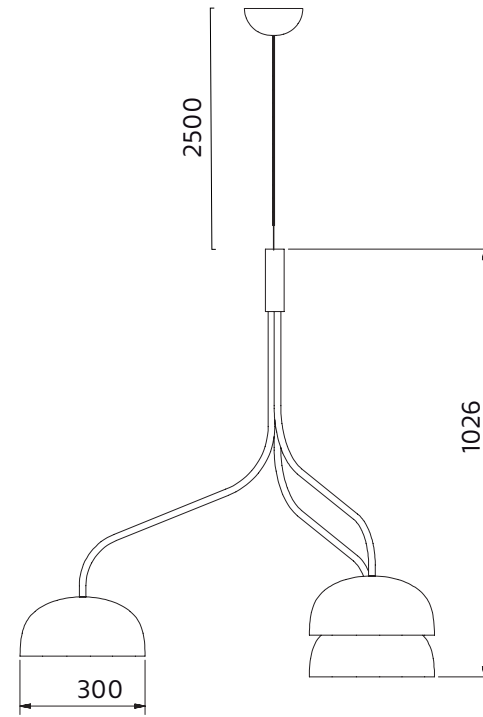
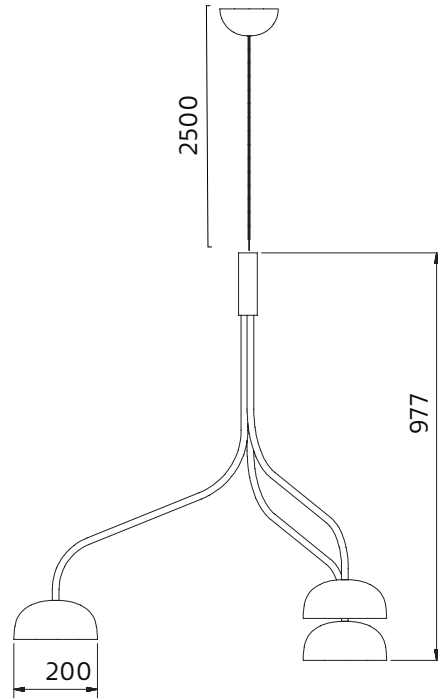
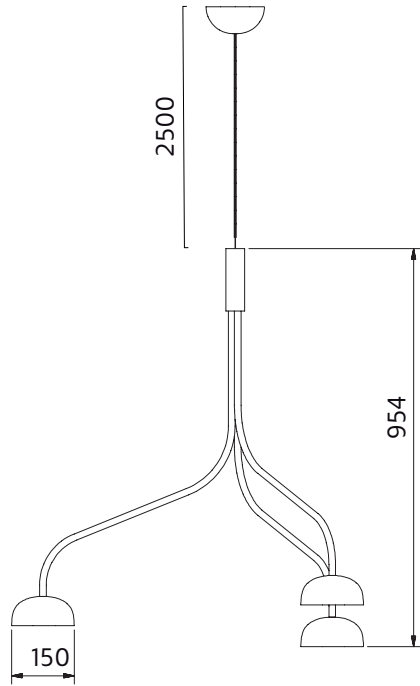




CURVE CLUSTER

PENDANT SINGLE

Metal shade Large



ZERO[®] CURVE CLUSTER
PENDANT SINGLE



ZERO[®]

CURVE CLUSTER

PENDANT SINGLE



ZERO[®]

CURVE CLUSTER

PENDANT SINGLE



ZERO[®]

CURVE CLUSTER

PENDANT SINGLE



Head office:

Friluftsvägen
SE-382 28 Nybro, Sweden
+46(0)481 800 00
info@zero.se

Showroom Stockholm:

Södermalmsallén 36,
SE-118 28 Stockholm, Sweden
+46(0)8-545 850 00

info@zero.se