

**ZERO**® PATHFINDER

TAK/VÄGG/CEILING/WALL





# PATHFINDER

TAK/VÄGG/CEILING/WALL



## Utförande

Lackerad gjuten aluminium. Svart RAL 9005 alt cortenlack.  
Bländskydd av microprisma.

## LED info

Systemeffekt 14W. Armaturlumen 865LM.  
Korrelerad färgtemperatur 3000K. Färgtolerans SDCM 3. Färgåtergivning RA 80.  
L80 B50 50.000 timmar.

## Montage

Dikt tak eller vägg.

## Anslutning

Tänd/släck modell är överkopplingsbar: Insticksplint 3x2,5mm<sup>2</sup>.  
Dimbar takmodell är ej överkopplingsbar: Insticksplint 5x2,5mm<sup>2</sup>.

## Design

Kauppi & Kauppi 2019.

## Finish

Painted casted aluminum. Black RAL 9005 or cortenlack.  
Diffuser in microprisma.

## LED info

System power 14W. Luminaire luminous flux 865LM.  
CCT 3000K. SDCM 3. CRI 80.  
L80 B50 50.000h.

## Installation

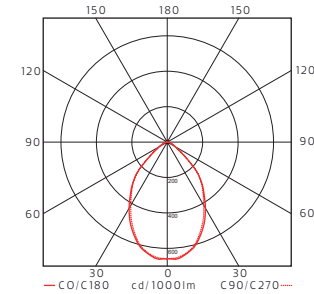
On wall or ceiling.

## Connection

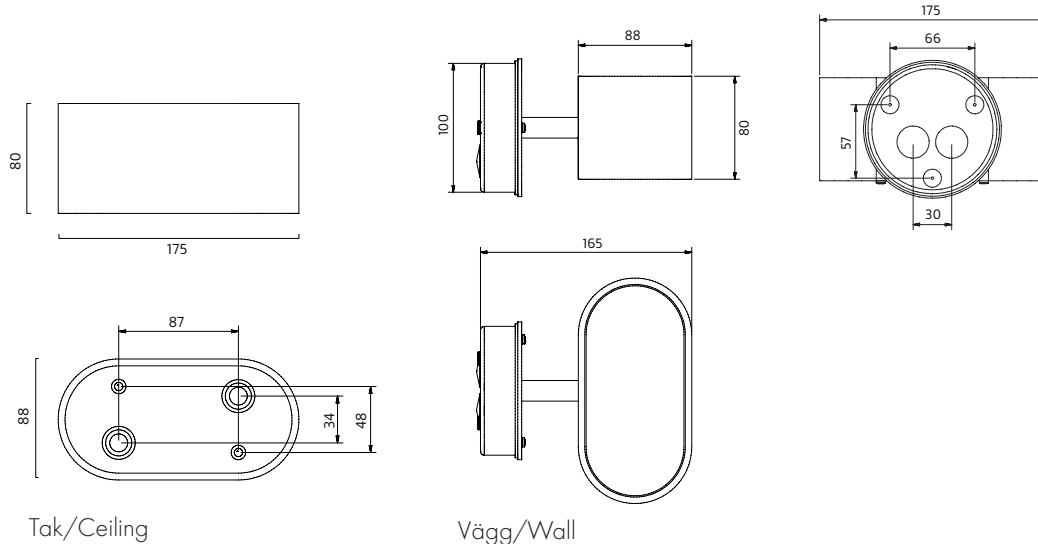
On/off model possible with double conduit entry- Terminal block 3x2,5mm<sup>2</sup>.  
Dimmable ceilingmodel: Terminal block 5x2,5mm<sup>2</sup>. Double conduit entry not possible.

## Design

Kauppi & Kauppi 2019.



Vägg & tak/Wall & ceiling



Tak/Ceiling

Vägg/Wall





# PATHFINDER

TAK/VÄGG/CEILING/WALL



## PRODUKTFAKTA/PRODUCT SPECIFICATION

EFFEKT/POWER	LJUSFLÖDE/LUMINAIRE FLUX	KELVIN/KELVIN	CRI	Färg/Color	Modell/Model	ART.
14W	865LM	3000K	80	Svart/Black	Tak/Ceiling	13000106-30
14W	865LM	3000K	80	Svart/Black	Tak/Ceiling	13000106D30
14W	865LM	3000K	80	Corten/Corten	Tak/Ceiling	13000147-30
14W	865LM	3000K	80	Corten/Corten	Tak/Ceiling	13000147D30
14W	865LM	3000K	80	Svart/Black	Vägg/Wall	13002106-30
14W	865LM	3000K	80	Svart/Black	Vägg/Wall	13002106D30
14W	865LM	3000K	80	Corten/Corten	Vägg/Wall	13002147-30
14W	865LM	3000K	80	Corten/Corten	Vägg/Wall	13002147D30

D = Dimbar DALI/Dimmable DALI

**ZERO**<sup>®</sup>

**PATHFINDER**

TAK/VÄGG/CEILING/WALL



ZERO®

# PATHFINDER

TAK/VÄGG//CEILING/WALL



## Kauppi & Kauppi

Kauppi & Kauppi is a designer duo with roots in the very north and south of Sweden. Johan and Nina has both earned their MFA degree at the Academy of Design & Crafts at The University of Gothenburg. In 2016 they established the shared design studio Kauppi & Kauppi in Sweden, after living several years in New York and Frankfurt. The studio approaches design and communication in all scales, from spatial projects to tactile objects in the hand's scale. When developing designs, their interest in creating collections and strategic product families runs like a thread through their work flow. The studio's design philosophy is identified by a search for a pure and restrained design, celebrating the added values that makes a project unique and genuine. The inspiration is often found in the contrasts, between north and south and in the dynamic between tranquil nature and pulsing cityscapes.

**ZERO**® PATHFINDER  
TAK/VÄGG/CEILING/WALL



**Head office:**

Friluftsvägen  
SE-382 28 Nybro, Sweden  
+46(0)481 800 00  
info@zero.se

**Showroom Stockholm:**

Södermalmsallén 36,  
SE-118 28 Stockholm, Sweden  
+46(0)8-545 850 00

info@zero.se