

**ZERO**<sup>®</sup> BRASS

CATENARY



# ZERO<sup>®</sup> BRASS

## CATENARY

### Finish

Painted metal, pearl gold RAL 1036. Shade in transparent acrylic.  
Brass net and opal acrylic diffuser.

### LED info

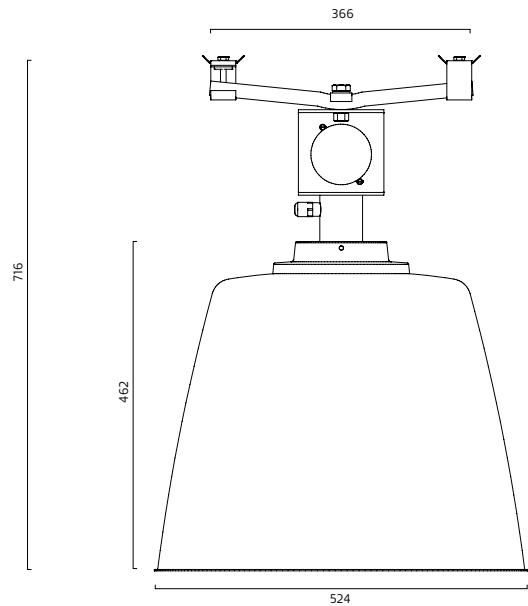
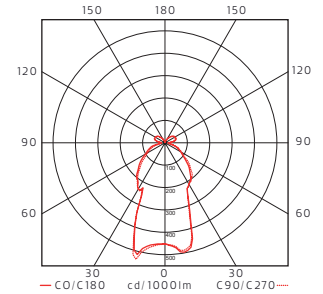
Including a LED light source Philips True Force. Lifetime 50.000h. System power: 23W.  
Luminaire Luminous Flux 1850LM.  
CCT 3000K. SDCM 3. CRI 80.

### Installation

On wire 3-6 mm.

### Connection

Double conduit entry.





# BRASS

CATENARY

## PRODUKTFAKTA/PRODUCT SPECIFICATION

EFFEKT/POWER	LJUSFLÖDE/LUMINAIRE FLUX	KELVIN	CRI		ART.
23W	1850 LM	3000	>80	On/Off	3436180-30
23W	1850 LM	3000	>80	DALI	3436180D30
23W	1850 LM	3000	>80	Zhaga socket	3436180Z30

**ZERO**<sup>®</sup> BRASS  
CATENARY



**ZERO**<sup>®</sup> BRASS  
CATENARY



Head office:  
FRILUFTSVEGEN 2  
SE-382 34 Nybro, Sweden  
+46(0)481 800 00  
info@zero.se

Showroom Stockholm:  
Södermalmsallén 36,  
SE-118 28 Stockholm, Sweden  
+46(0)8-545 850 00  
info@zero.se