

ZERO[®]

GINZA SINGLE

TAK/VÄGG/3-FAS SKENA/CEILING/WALL/3-PHASE TRACK



ZERO®

GINZA SINGLE

TAK/VÄGG/3-FAS SKENA/CEILING/WALL/3-PHASE TRACK



Utförande

Lackerad metall och aluminium. Vit RAL 9010, svart RAL 9005, orange RAL 4320S. Bländskydd av microprisma. Vrid och vinklignsbar. Andra färger på begäran.

LED info

Systemeffekt 10W. Armaturlumen 620LM. Korrelerad färgtemperatur 3000K. Färgtolerans SDCM 3. Färgåtergivning >RA 80.

Montage

Tak, vägg alt. på 3-fas skena.

Anslutning

8432 - 3-fas universaladapter. Dimmbar modell inkl. Global pulse track adapter.
8433 - Kopplingsplint 3x2,5mm². Dimmbar 5x4mm².

Design

Thomas Bernstrand 2018.

Finish

Painted metal and aluminum. White RAL 9010, black RAL 9005, orange RAL 4030S. Diffuser in microprisma. Adjustable spotlights. Other colours on request.

LED info

System power 10W. Luminaire Luminous Flux 620LM. CCT 3000K. SDCM 3. CRI >80

Installation

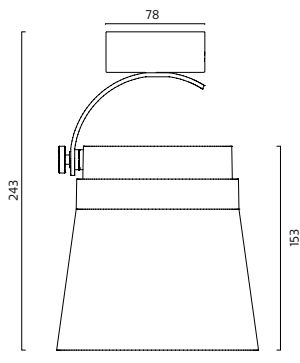
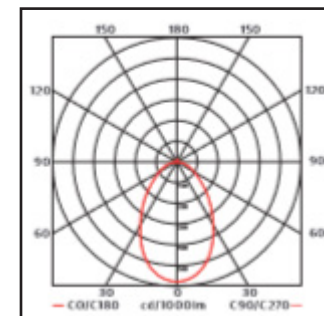
In ceiling, on wall or on 3-phase track.

Connection

8432 - 3-phase universal adaptor. Dimmable model incl. Global pulse track adaptor.
8433 - Terminal block 3x2,5mm². Dimmable 5*4mm².

Design

Thomas Bernstrand 2018.



ZERO®

GINZA SINGLE

TAK/VÄGG/3-FAS SKENA/CEILING/WALL/3-PHASE TRACK



PRODUKTFAKTA/PRODUCT SPECIFICATION

EFFEKT/POWER	LJUSFLÖDE/LUMINAIRE FLUX	MONTAGE/INSTALLATION	KELVIN/KELVIN	CRI	FÄRG/COLOUR	ART.
10W	620LM	3-fas adapter/3-phase adaptor	3000K	>80	Vit/White	8432-1-01-30
10W	620LM	3-fas adapter/3-phase adaptor	3000K	>80	Vit/White	8432-1-01D30
10W	620LM	3-fas adapter/3-phase adaptor	3000K	>80	Svart/Black	8432-1-06-30
10W	620LM	3-fas adapter/3-phase adaptor	3000K	>80	Svart/Black	8432-1-06D30
10W	620LM	3-fas adapter/3-phase adaptor	3000K	>80	Orange/Orange	8432-1-41-30
10W	620LM	3-fas adapter/3-phase adaptor	3000K	>80	Orange/Orange	8432-1-41D30
10W	620LM	Tak/Vägg/Ceiling/Wall	3000K	>80	Vit/White	8433-1-01-30
10W	620LM	Tak/Vägg/Ceiling/Wall	3000K	>80	Vit/White	8433-1-01D30
10W	620LM	Tak/Vägg/Ceiling/Wall	3000K	>80	Svart/Black	8433-1-06-30
10W	620LM	Tak/Vägg/Ceiling/Wall	3000K	>80	Svart/Black	8433-1-06D30
10W	620LM	Tak/Vägg/Ceiling/Wall	3000K	>80	Orange/Orange	8433-1-41-30
10W	620LM	Tak/Vägg/Ceiling/Wall	3000K	>80	Orange/Orange	8433-1-41D30

D = Dimmbar med DALI alt SwitchDim/D = Dimmable DALI or SwitchDim.

ZERO[®]

GINZA SINGLE

TAK/VÄGG/3-FAS SKENA/CEILING/WALL/3-PHASE



THOMAS BERNSTRAND

Thomas är född 1965 i Bromma, Stockholm.

Utbildad till produktformgivare på Konstfack i Stockholm och Danmarks Designskole.

Sedan 1999 designar han åt ett antal svenska och internationella företag. Bland utmärkelser kan nämnas "Årets Möbel 2005", "cDIM Professional Design Award" i Valencia 2004 och "Utmärkt Svensk Design" åren 2000 och 2002 samt NYC X DESIGN Awards Honoree 2017, MIAW – MUUUZ International Awards 2017, EDITOR'S AWARD New York ICFF 2017, EDITOR'S CHOICE Stockholm Fair 2017, ARCHIPRODUCTS DESIGN AWARDS 2017, GERMAN DESIGN AWARD 2018

Thomas was born 1965 in Bromma, Stockholm.

Educated as a product designer at Konstfack in Stockholm and Danish Design School.

Since 1999, he designs products for a number of Swedish and international companies. Among his awards are the "Furniture of the Year 2005", "cDIM Professional Design Award" in Valencia 2004 and "Excellent Swedish Design" in 2000 and 2002. NYC X DESIGN Awards Honoree 2017, MIAW – MUUUZ International Awards 2017, EDITOR'S AWARD New York ICFF 2017, EDITOR'S CHOICE Stockholm Fair 2017, ARCHIPRODUCTS DESIGN AWARDS 2017, GERMAN DESIGN AWARD 2018

ZERO[®]

GINZA SINGLE

TAK/VÄGG/3-FAS SKENA/CEILING/WALL/3-PHASE TRACK



Head office:

Pukebergarnas väg,
SE-382 28 Nybro, Sweden
+46(0)481 800 00
info@zero.se

Showroom Stockholm:

Södermalmsallén 36,
SE-118 28 Stockholm, Sweden
+46(0)8-545 850 00

info@zero.se